

Learning of Cluster-based Feature Importance for Electronic Health Record Time-series

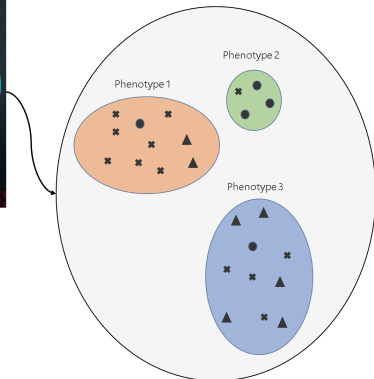
H. Aguiar ¹ M. Santos ¹ P. Watkinson ² T. Zhu ¹

¹Department of Engineering Science, University of Oxford

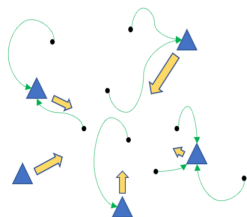
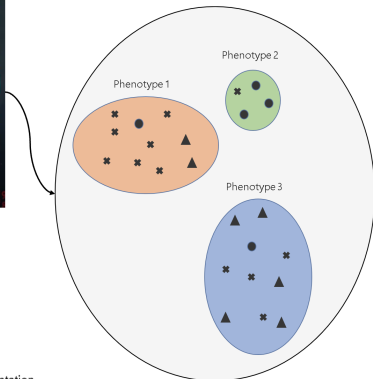
²Nuffield Department of Clinical Neurosciences, University of Oxford

July 18, 2022

Introduction

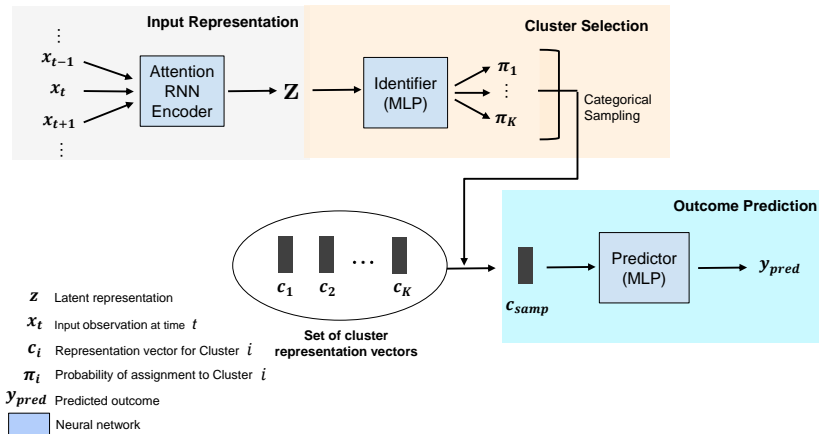


Introduction

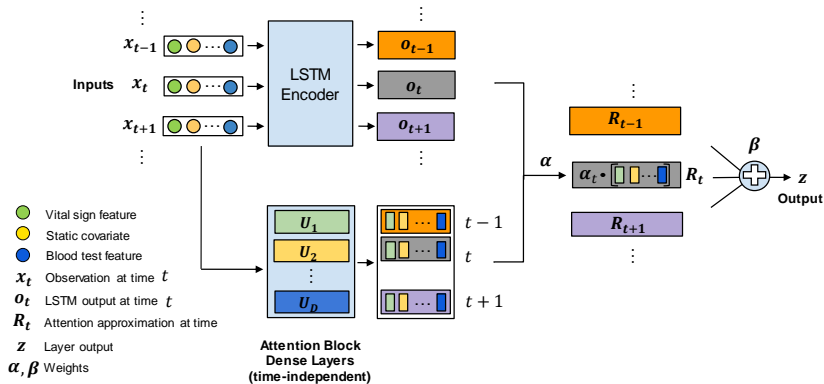


- Sample representation
- ▲ Cluster representation vector

CAMELOT



Deeper Look into Encoder Block



Results

